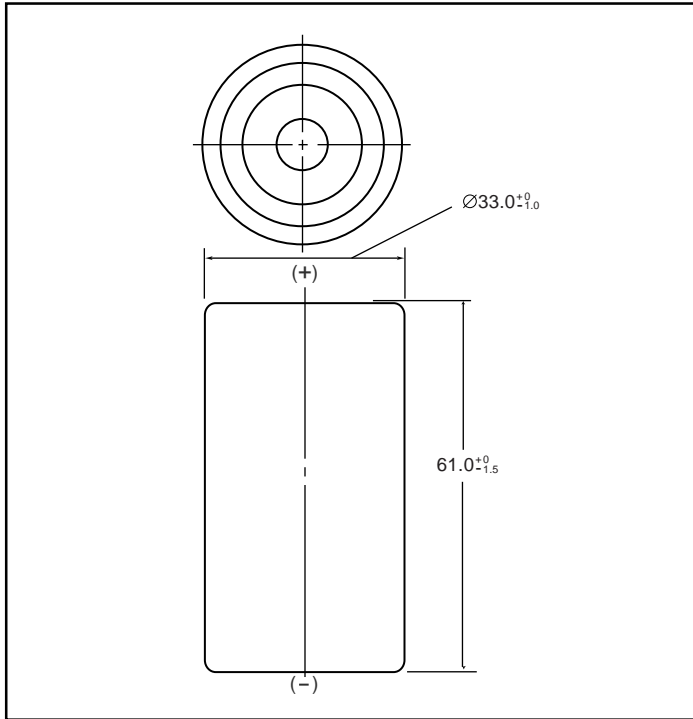


# NICKEL CADMIUM BATTERIES: INDIVIDUAL DATA SHEET

## P-400DH D size (KR33/62) Type: H

Dimensions (with tube) (mm)



### Specifications

	mm	inch
Diameter	33.0 +0/-1.0	1.30 +0/-0.04
Height	61.0 +0/-1.5	2.40 +0/-0.06
Approximate Weight	Grams	Ounces
	139g	4.9

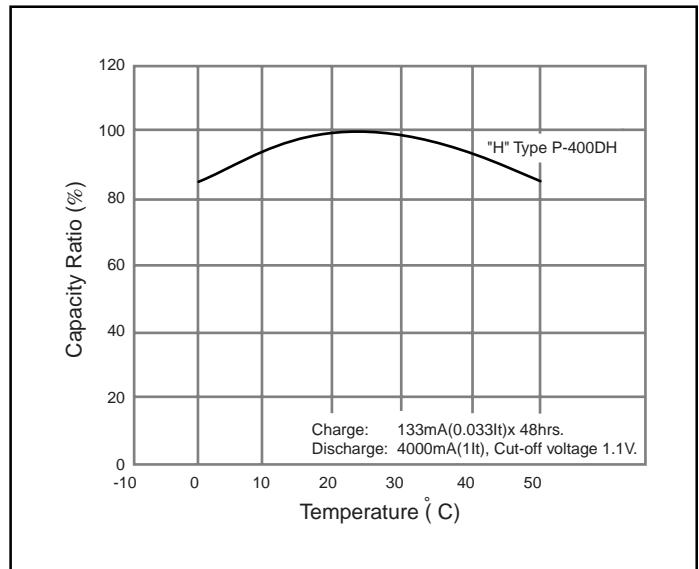
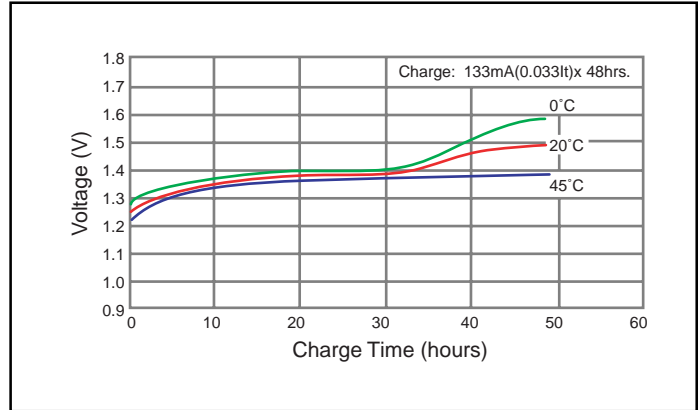
Nominal Voltage		1.2V	
Discharge Capacity*	Average**	4400mAh	
	Rated (Min.)	4000mAh	
Approx. Internal impedance at 1000Hz at charged state		7mΩ	
Charge	Standard	400mA (0.1It) x 16 hrs.	
	Trickle	Max Current	200mA (0.05It) x 30h and over
		Min Current	133mA (0.033It) x 48h and over
Ambient Temperature	Charge	°C	°F
		0°C to 50°C	32°F to 122°F
	Discharge	-20°C to 65°C	-4°F to 149°F
		Storage	< 2 years
< 6 months	-20°C to 45°C -4°F to 113°F		

\* 0.2It discharge capacity after charging at 0.1It for 16 hours.

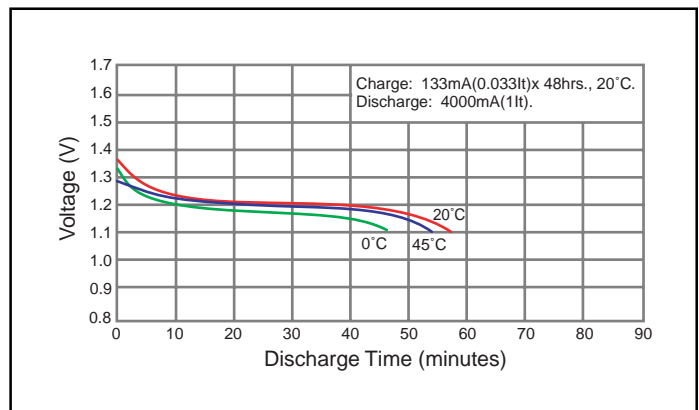
\*\* For reference only.

Battery performance and cycle life are strongly affected by how they are used. In order to maximize battery safety, please consult Panasonic when determining charge / discharge specs, warning label contents and unit design.

### Typical Charge Characteristics



### Typical Discharge Characteristics



**Note:** [It] was previously expressed as [C]. [It] is an IEC standard expression for the amount of charge or discharge current and is expressed as:

- $It(A) = C_n (Ah)/1h.$
- [It] is the reference test current in amperes
- [Cn] is the rated capacity of the cell or battery in Ampere-hours.  
n = the time base [hours] for which the rated capacity is declared